



Viper-8 Series

EN 50155 Managed Gigabit Routing Switch



Table of Contents

1. General Information	3
1.1. Legal Information	3
1.2. About This Guide	3
1.3. Software Tools	3
1.4. License and Copyright for Included FLOSS	3
1.5. WeOS	3
2. Safety and Regulations	4
2.1. Warning Levels	4
2.2. Safety Information	5
2.3. Care Recommendations	6
2.4. Product Disposal	7
2.5. Compliance Information	7
2.5.1. Agency Approvals and Standards Compliance	7
2.5.2. EN/IEC/UL 61010-2-201 Notice	8
2.5.3. FCC Part 15.105 Class A Notice	8
2.5.4. Simplified Declaration of Conformity	8
3. Product Description	9
3.1. Product Description	9
3.2. Available Models	9
3.3. Hardware Overview	10
3.4. Connector Pinout	11
3.5. LED Indicators	12
3.6. Dimensions	13
4. Installation	14
4.1. Wall Mounting	14
4.2. Protective Earth Connection	14
4.3. Connection of Cables	15
4.4. Cooling	16
4.5. Replacement of Product	16
4.6. EN 45545-2 Mounting Notes	16
5. Specifications	17
5.1. Interface Specifications	17
5.2. Type Tests and Environmental Conditions	19
6. Revision Notes	21

1. General Information

1.1. Legal Information

The contents of this document are provided “as is”. Except as required by applicable law, no warranties of any kind are made in relation to the accuracy and reliability or contents of this document, either expressed or implied, including but not limited to the implied warranties of merchantability and fitness for a particular purpose. Westermo reserves the right to revise this document or withdraw it at any time without prior notice.

Under no circumstances shall Westermo be responsible for any loss of data or income or any special, incidental, and consequential or indirect damages howsoever caused.

More information about Westermo can be found at www.westermo.com.

1.2. About This Guide

This guide is intended for installation engineers and users of the Westermo products.

It includes information on safety and regulations, a product description, installation instructions and technical specifications.

1.3. Software Tools

Related software tools are available at <https://www.westermo.com/support/product-support>.

1.4. License and Copyright for Included FLOSS

This product includes software developed by third parties, including Free/Libre Open Source Software (FLOSS). The specific license terms and copyright associated with the software are included in each software package respectively. Please visit the product web page for more information.

Upon request, the applicable source code will be provided. A nominal fee may be charged to cover shipping and media. Please direct any source code request to your normal sales or support channel.

1.5. WeOS

This product runs WeOS 5 (Westermo Operating System). Instructions for quick start, configuration and factory reset are found in the WeOS user documentation at www.westermo.com.

2. Safety and Regulations

2.1. Warning Levels

Warning signs are provided to prevent personal injuries and/or damages to the product. The following levels are used:





Level of warning	Description	Consequence personal injury	Consequence material damage
 WARNING	Indicates a potentially hazardous situation	Possible death or major injury	Major damage to the product
 CAUTION	Indicates a potentially hazardous situation	Minor or moderate injury	Moderate damage to the product
 NOTICE	Provides information in order to avoid misuse of the product, confusion or misunderstanding	No personal injury	Minor damage to the product
 NOTE	Used for highlighting general, but important information	No personal injury	Minor damage to the product

Table 1. Warning levels

2.2. Safety Information

Before installation:

Read this manual completely and gather all information available on the product. Make sure it is fully understood. Check that your application does not exceed the safe operating specifications for the product.



SAFETY DURING INSTALLATION

The product must be installed and operated by qualified service personnel and installed into an apparatus cabinet or similar, where access is restricted to service personnel only.

Refer to chapter Compliance Information to see the required level of qualified service personnel according to safety standards.

During installation, ensure a protective earthing conductor is first connected to the protective earthing terminal (only valid for metallic housings). Westermo recommends a cross-sectional area of at least 4 mm².

Upon removal of the product, ensure that the protective earthing conductor is disconnected last.



HAZARDOUS VOLTAGE

Do not open an energised product. Hazardous voltage may occur when connected to a power supply.



PROTECTIVE FUSE

The power supply wiring must be sufficiently fused. The fuse must be IEC 60127 certified and rated for T1.6 A and 250 V.

It must be possible to disconnect manually from the power supply. Ensure compliance to national installation regulations.

This product has no internal fuse and should be connected via an external fuse for protection.



REDUCE THE RISK OF FIRE

To reduce the risk of fire, use only telecommunication line cords with a cable diameter of AWG 26 or larger. Regarding power cable dimensions, see chapter Interface Specifications.



CABLE TEMPERATURE RATING FOR FIELD TERMINAL WIRES

There may be a requirement on the minimum temperature rating of the cable to be connected to the field wiring terminals, see chapter Interface Specifications.



ELECTROSTATIC DISCHARGE (ESD)

Prevent electrostatic discharge damage to internal electronic parts by discharging your body to a grounding point (e.g. use a wrist strap).



HOT SURFACE

Be aware that the surface of this product may become hot. When it is operated at high temperatures, the external surface may exceed Touch Temperature Limit according to the product's relevant electrical safety standard.



NOTE - MECHANICAL FORCE ON VENTILATION MEMBRANE

Do not cover or bring mechanical force to the ventilation membrane on the back of the product.

2.3. Care Recommendations

Follow the care recommendations below to maintain full operation of the product and to fulfill the warranty obligations:

- Do not drop, knock or shake the product. Rough handling above the specification may cause damage to internal circuit boards.
- Use a dry or slightly water-damp cloth to clean the product. Do not use harsh chemicals, cleaning solvents or strong detergents.
- Do not paint the product. Paint can clog the product and prevent proper operation.

If the product is used in a manner not according to specification, the protection provided by the equipment may be impaired.

If the product is not working properly, contact the place of purchase, the nearest Westermo distributor office or Westermo technical support.

2.4. Product Disposal

This symbol means that the product shall not be treated as unsorted municipal waste when disposing of it. It needs to be handed over to an applicable collection point for recycling electrical and electronic equipment.

By ensuring the product is disposed of correctly, you will help to reduce hazardous substances and prevent potential negative consequences to both the environment and human health, which could be caused by inappropriate disposal.



Figure 1. WEEE symbol for treatment of product disposal

2.5. Compliance Information

2.5.1. Agency Approvals and Standards Compliance

Type	Approval/Compliance
Climate	<ul style="list-style-type: none">• EN 50155 class OT4 / IEC 60571 class TX, Railway applications - Electronic equipment used on rolling stock• IEEE 1478 class 1, condition E4 (incl Salt Mist), Environmental conditions for transit rail car electronic equipment
EMC	<ul style="list-style-type: none">• EN/IEC 61000-6-2, Immunity industrial environments• EN/IEC 61000-6-4, Emission industrial environments• EN 50121-4/IEC 62236-4, Railway signalling and telecommunications apparatus• EN 50121-3-2/IEC 62236-3-2 Railway applications – Rolling stock – apparatus• Tested and verified for Class S1, DB EMC Regulation 06, Commodity team Radio compatibility in VDB Rev 1.0 (Shunting Radio)• Tested and verified for FCC part 15b class A (CFR 47)
Mechanical (Shock and vibration)	<ul style="list-style-type: none">• EN 61373 category 1, class A and B• IEEE 1478 class 1, condition E4, including shock tests 10 g/30 ms and 20 g/11 ms in all directions
Insulation (Coordination and test)	<ul style="list-style-type: none">• EN 50124-1, Railway applications – Insulation coordination• EN 50155/IEC 60571, Railway applications - Electronic equipment used on rolling stock
Fire protection	<ul style="list-style-type: none">• EN 45545-2, Fire protection on railway vehicles• NFPA 130, Fire protection for fixed guideway transit and passenger rail system
Software	<ul style="list-style-type: none">• EN 50657:2017 Software Onboard Rolling Stock (Basic Integrity)
Safety	<ul style="list-style-type: none">• EN/IEC/UL 61010-1, -2-201, Safety requirements for electrical equipment for measurement, control, and laboratory use

2.5.2. EN/IEC/UL 61010-2-201 Notice

This product has been tested and found compliant to EN/IEC/UL 61010-2-201, Safety requirements for electrical equipment for measurement, control, and laboratory use. In accordance with the definitions of the standard, this product shall be handled by skilled service personnel.

2.5.3. FCC Part 15.105 Class A Notice

This product has been tested and found to comply with the limits for a Class A digital device, pursuant to Part 15 of the FCC Rules.

These limits are designed to provide reasonable protection against harmful interference when the product is operated in a commercial environment.

This product generates, uses, and can radiate radio frequency energy and, if not installed and used in accordance with the user manual, may cause harmful interference to radio communications. Operation of this product in a residential area is likely to cause harmful interference in which case the user will be required to correct the interference at the users own expense.

2.5.4. Simplified Declaration of Conformity

Hereby, Westermo declares that this product is in compliance with applicable EU directives and UK legislations. The full declaration of conformity and other detailed information is available at www.westermo.com/support/product-support.



Figure 2. The European Conformity and the UK Conformity Assessment markings

3. Product Description

3.1. Product Description

The Viper-8 series is a managed backbone routing switch optimised for the needs of the railway rolling stock market. Gbps ports cope with high bandwidth backbone, consist ring and end-devices.

The product is designed to withstand the tough environment on-board trains, exposing the switch to constant vibration, extreme temperatures, humidity and a demanding electrical environment.

A GORE-TEX® membrane prevents internal condensation. Threading integrated in chassis provides for additional vibration resistance. High-level isolation between all interfaces enables direct connectivity to vehicle auxiliary power and protects against overvoltage and flashover. IP67 protection prevents ingress of water and dust. An overall optimised design results in an extremely compact package in combination with very high MTBF for easy integration and low lifecycle cost.

Thorough type testing at independent ISO/IEC 17025 and ILAC MRA certified labs, accredited to a wide range of standards, show that the Viper series fulfills EN 50155 and other requirements. The state-of-the-art Westermo production facility ensures the quality of each individual unit, e.g. through temperature cycling burn-in testing.

The WeOS operating system offers an extensive suite of IP networking features for resilient and flexible networks, e.g. the FRNT ring protocol with very fast failover. The powerful layer 3 routing capability ensures communication between the backbone and consist networks and offers full support for IEC 61375, including TTDP network inauguration and TRDP realtime data protocol. The backup device accessory matches the Viper in robustness and offers easy configuration update and backup.

3.2. Available Models

Art. no.	Model	SW	Gbps ports
3635-2210	Viper-108-T8G	L2	8
3635-2220	Viper-208-T8G	L3	8

Table 2. Available Viper 8 models



NOTE - MECHANICAL FORCE ON VENTILATION MEMBRANE

Do not cover or bring mechanical force to the ventilation membrane on the back of the product.

3.3. Hardware Overview

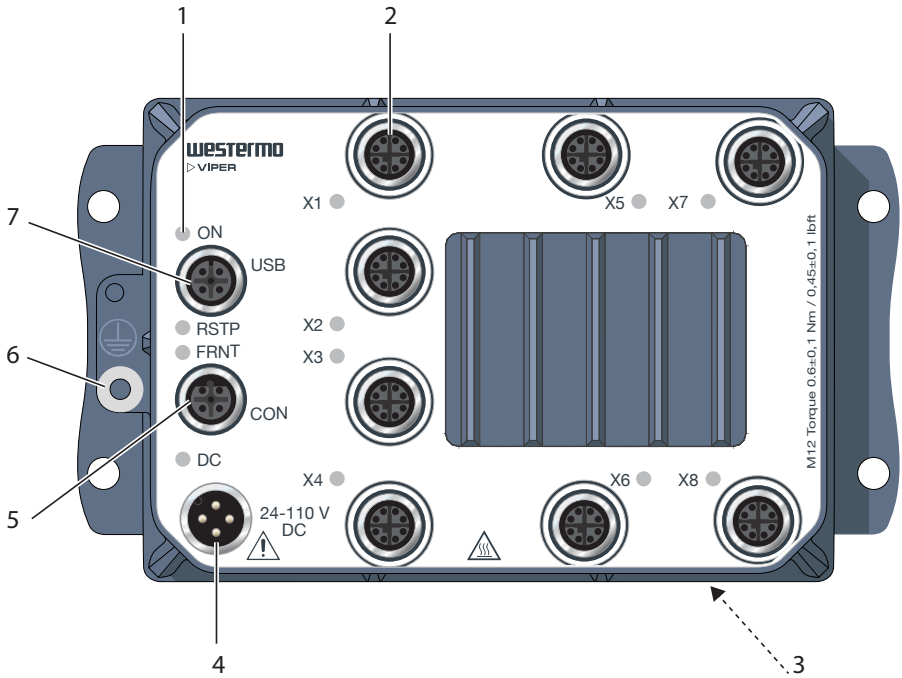
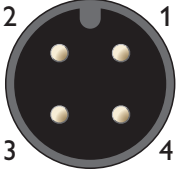


Figure 3. Location of interface ports and LED indicators

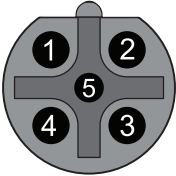
No.	Description	No.	Description
1	LED indicator	2	Gbps port (8 pcs)
3	GORE-TEX ventilation membrane on the rear side	4	Power connection
5	Console port	6	Protective earth connection
7	USB port		

3.4. Connector Pinout

Pin no.	Signal	Illustration
1	+DC1	
2	+DC2	
3	-COM	
4	-COM	

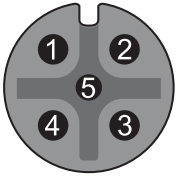
Viper supports redundant power connection. The positive inputs are +DC1 and +DC2. The negative input for both supplies is -COM

Table 3. Power connector, A-coded

Pin no.	Signal	Illustration
1	NC ^a .	
2	TX	
3	RX	
4	NC ^a .	
5	GND	

^aNo Connect. Do not connect.

Table 4. Console connector, B-coded

Pin no.	Signal	Illustration
1	DN	
2	VBUS	
3	NC ^a .	
4	DC	
5	GND	

^aNo Connect. Do not connect.

Table 5. USB connector, A-coded


Pin no.	Signal	Illustration
1	DA+	
2	DA-	
3	DB+	
4	DB-	
5	DD+	
6	DD-	
7	DC-	
8	DC+	

Table 6. Gbps connector, X-coded

3.5. LED Indicators

LED	Status	Description
ON	OFF	Product has no power
	GREEN	All OK, no alarm condition
	RED	Alarm condition, or until product has started up. (Alarm conditions are configurable, see <i>WeOS5 User Guide</i>)
RSTP	OFF	RSTP disabled
	GREEN	RSTP enabled
	BLINK	Product selected as RSTP/STP root switch
FRNT	OFF	FRNT disabled
	GREEN	FRNT OK
	RED	FRNT error
	FLASH	Product configured as FRNT focal point
DC	OFF	Product has no power
	GREEN	Power OK on DC1 and DC2
	RED	Power failure on DC1 or DC2
X1 to X8	OFF	No link
	GREEN	Link established
	GREEN FLASH	Data traffic indication
	YELLOW	Port alarm, or port is set in blocking state by link redundancy protocol

Table 7. LED indicators

3.6. Dimensions

Dimensions are stated in mm and applies to both models.

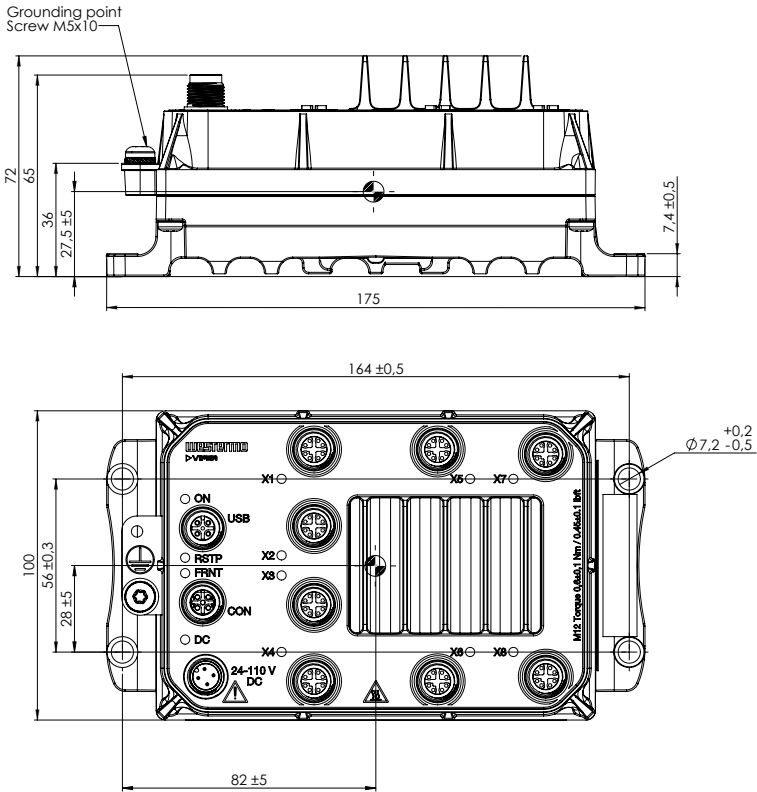


Figure 4. Dimensional drawing

4. Installation

4.1. Wall Mounting

The product can be wall mounted vertically or horizontally. There are four pieces of 7 mm bores for this. Use four M5, M6 or 1/4" screws with 12 mm washers on a flat and stable surface.

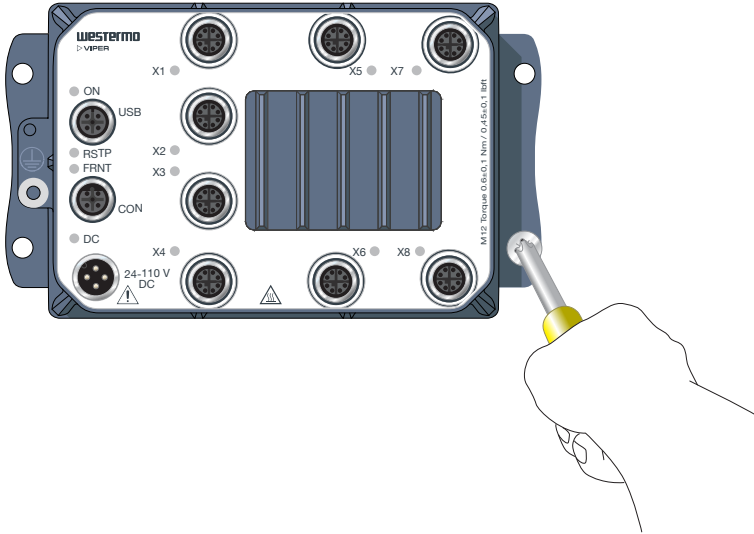


Figure 5. Wall mounting

4.2. Protective Earth Connection

For correct function, the earth connection needs to be properly connected to a designated PE rail. See the figure below. Torx: T25 and torque: 3.2 Nm.

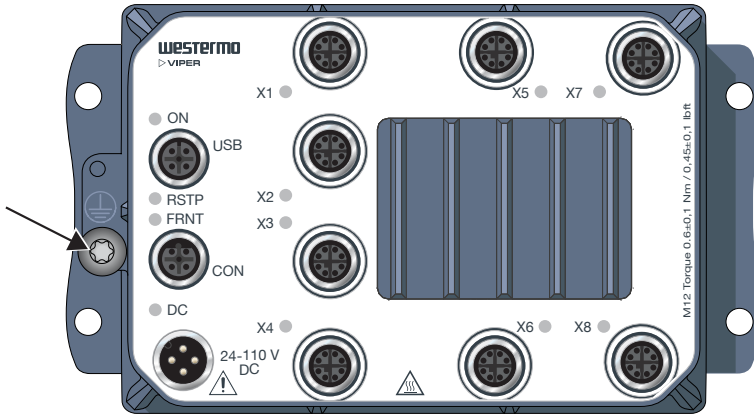


Figure 6. Earth connection

4.3. Connection of Cables

Recommended tightening torque for the M12 connectors is 0.6 Nm. All M12 connections are screw connections.

When connecting the power cable, ensure that the pins are connected correctly before tightening the power cable to the unit.



PROTECTIVE FUSE

The power supply wiring must be sufficiently fused. The fuse must be IEC 60127 certified and rated for T1.6 A and 250 V.

It must be possible to disconnect manually from the power supply. Ensure compliance to national installation regulations.

This product has no internal fuse and should be connected via an external fuse for protection.



NOTE - UNUSED CONNECTORS

Unused connectors must be covered by a protective cap (delivered with the product), tightened to the specified torque in order to fulfill the specified ingress protection code.

4.4. Cooling

This product relies on convection cooling. Make sure that it is installed so that the ambient temperature is within the specified temperature range. Avoid obstruction of the airflow around the product.

4.5. Replacement of Product

Disconnect all cables and unscrew the product from the wall. Mount the replacement product and reconnect all cables, observing the instructions in [Connection of Cables \[15\]](#). For easy replication of the configuration of the original product, it is recommended to have the Westermo USB plug permanently connected to the USB port and move it over to the replacement product before it is powered up.

MTTR (Mean Time To Repair), i.e. time for replacement of product is: < 8 minutes.



HOT SURFACE

Be aware that the surface of this product may become hot. When it is operated at high temperatures, the external surface may exceed Touch Temperature Limit according to the product's relevant electrical safety standard.

4.6. EN 45545-2 Mounting Notes

Two product can be mounted together and as a single interior non-listed group in the sense of EN 45545-2 definitions. For multiple product, the spacing requirements for interior non-listed groups must be met.

5. Specifications

5.1. Interface Specifications

DC, Power port	
Rated voltage ^a	24 to 110 VDC
Operating voltage ^b	16.8 to 143 VDC (14.4 VDC for 100 ms and 154 VDC for 1 s)
Rated current	Max 460 mA at 24 VDC, max 110 mA at 110 VDC
Rated frequency	DC
Inrush current	80 mA ² s at 24 VDC, 140 mA ² s at 110 VDC
Startup current	Max 560 mA at 16.8 VDC
Polarity	Reverse polarity protected
Redundant power input	Yes
Isolation	To all other ports
Connector	4-pin, male, M12 screw connection, A-coded, recommended Westermo cables: 3146-1106 for 1.5 m 3146-1107 for 5 m
Cable size	M12, recommended power cable area 0.5 mm ² (minimum 0.25 mm ²), which correlates to AWG 21 or larger Cable dimensions depend on choice of M12 connector
Cable temperature rating	For minimum temperature rating of the cable to be connected to the field wiring terminals: -40 to +70 °C
Circuit type	Secondary circuit hazardous voltage, OVC II

^aAlso referred to as nominal voltage in EN/IEC 61010-1

^bAlso referred to as nominal input including fluctuations in EN/IEC 61010-1

Gbps ports	
Electrical specification	IEEE std 802.3
Data rate	10 Mbps, 100 Mbps, 1 Gbps, manual or auto
Duplex	Full or half, manual or auto ^a
Transmission range	Up to 150 m with CAT5e cable or better
Isolation	To all other ports
Connector	8-pin, female, M12 screw connection, X-coded
Cabling	Shielded cable CAT5e or better is recommended
Conductive chassis	Yes
FRNT reconfiguration time	Typically below 20 ms
Circuit type	TNV-1

^aFor 1 Gbps, auto negotiation is always enabled

USB port	
Electrical specification	USB 2.0 host interface
Data rate	Up to 480 Mbps (high-speed mode)
Maximum supply current	200 mA
Isolation	To all Ethernet and DC ports No isolation to CON or protective earth
Connector	5-pin, female, M12 screw connection, A-coded, recommended Westermo USB plug 3641-0190
Circuit type	SELV

Console port	
Electrical specification	RS-232
Data rate	115.2 kbit/s
Data format	8 data bits, no parity, 1 stop bit, no flow control
Isolation	To all Ethernet and DC ports No isolation to USB or protective earth
Connector	5-pin, female, M12 screw connection, B-coded, recommended Westermo cables: 1211-2215 (serial port) or 1211-4073 (USB)
Circuit type	SELV

5.2. Type Tests and Environmental Conditions

Environmental phenomena	Basic standard	Description	Test levels
ESD	EN 61000-4-2	Enclosure	Contact: ± 6 kV Air: ± 8 kV
Fast transients	EN 61000-4-4	Power port	± 2 kV
		Signal ports	
		Earth port	
Surge	EN 61000-4-5	Power port	L-E: ± 2 kV, 42Ω , $0,5 \mu\text{F}$, $1,2/50 \mu\text{s}$ L-E: ± 1 kV, 12Ω , $9 \mu\text{F}$, $1,2/50 \mu\text{s}$ L-L: ± 2 kV, 42Ω , $0,5 \mu\text{F}$, $1,2/50 \mu\text{s}$ L-L: $\pm 0,5$ kV, 2Ω , $18 \mu\text{F}$, $1,2/50 \mu\text{s}$
		Ethernet port	L-E: ± 2 kV, 2Ω
Radiated RF immunity	EN 61000-4-3	Enclosure	20 V/m at (80 MHz to 2 GHz) 10 V/m at (2-6 GHz) 1 kHz sine, 80% AM
Conducted RF immunity	EN 61000-4-6	Power port	10 V, 80% AM, 1 kHz; (0.15-80) MHz
		Ethernet ports	
		Earth port	
Radiated RF emission	CISPR 16-2-3	Enclosure	EN 61000-6-4 (30-6000 MHz)
	ANSI C63,4 (FCC Part 15b)		Class A
Conducted RF emission	CISPR 16-2-1	Power port	EN 61000-6-4
	CISPR 32	Ethernet ports	EN 61000-6-3
Insulation resistance	EN 50155	All ports	≥ 20 M Ω at 500 VDC
Dielectric strength	EN 50155	Power port to all other ports	2250 VDC, 1 min
		Ethernet ports to all other ports	2250 VDC, 1 min ^a .

^a750 VDC after damp heat, according to EN 50155

Table 8. EMC and electrical conditions

Environmental phenomena	Basic standard	Description	Test levels
Temperatures	EN 60068-2-1 EN 60068-2-2	Operational	-40 to +70°C (-40 to +158°F) ^{a,b} .
		Storage and transport	-55 to +85°C (-67 to +185°F)
Humidity	EN 60068-2-30	Operational	5-95% relative humidity
		Storage and transport	
Altitude		Operational	2000 m/80 kPa
Service life		Operational	20 years according to IEC/TR 62380
MTBF	1: MIL-HDBK-217F-N2, GB, +25°C/ +77°F 2: IEC 62380		1: 659,000 hrs, 2: 603,000 hrs
Vibration	IEC 60068-2-6 (sine)	Operational	5 sweeps cycles: 7.5 mm 5-8 Hz 2g, 8-500 Hz
	IEC 60068-2-64 (random)	Non-operational long life simulation	11.44 m/s ² rms 5-150 Hz, 5 hours 20 m/s ² rms 5-150 Hz, 30 min operational
Shock	IEC 60068-2-27	Operational	10 g, 30 ms, half sine 20 g, 11 ms, saw tooth
Weight			1.45 kg
Degree of protection	IEC 60529	Enclosure	IP67, no ingress of dust and protection against water immersion up to 1 m. Also passes IP66 tests. ^c
Cooling			Convection
Overvoltage category	EN/IEC/UL 61010-1		OVC II
Pollution degree	EN/IEC/UL 61010-1		PD3 macro environment and PD2 micro environment ^d .
	EN 50124-1		PD2
Location	EN/IEC/UL 61010-1		Outdoor, wet locations
	IEEE 1478		Class 1, condition E4. Indoor

^aRefer to "Safety and Regulations" chapter regarding touch temperature

^bOperational at +85°C for a limited time

^cProvided all connectors are connected with IP66 and IP67 cablings or fitted with protective caps (delivered with the unit) and tightened to the specified torque.

^dInstallation and maintenance shall be made under controlled environments.

Table 9. Environmental and mechanical conditions

6. Revision Notes

Revision	Date	Change description
Rev. G	2023-01	5.1 Interface specification updated (USB port)
Rev. F	2022-06	1.3 Software Tools; link updated, 3.3 Hardware Overview; illustration updated, 3.6 Dimensions; illustration updated, 4.1 Wall Mounting; illustration updated, 4.2 Protective Earth Connection; torque added and illustration updated.
Rev. E	2022-03	3.4 Connector Pinout; Faulty footnote at Gbps connector removed.
Rev. D	2022-01	2.2 Safety Information updated (Warning - Safety during installation), 2.5.2 EN/IEC/UL 61010-2-210 Notice added, 5.2 Type Tests and Environmental Conditions updated (UL added to EN/IEC 61010-1)
Rev. C	2021-12	5.1 Interface Specification updated (DC Power port; operating voltage)
Rev. B	2021-12	E-mark removed from 2.5.1 Agency Approvals and Standards Compliance
Rev. A	2021-10	First version

WESTERMO

Westermo • Metallverksgatan 6, SE-721 30 Västerås, Sweden

Tel +46 16 42 80 00 Fax +46 16 42 80 01

E-mail: info@westermo.com

www.westermo.com